

ST-UT and ST-UT2 Upgrade Instructions

Tools required

- Phillips (+) screwdriver

1. Remove the two corner pieces from the table by unscrewing 6 screws from each corner piece (See figure 1 below). Use a Phillips screwdriver to remove the screws.
2. Remove the spacer from the table. This is accomplished by using an allen wrench to remove the 3 pan head screws from the top of the table and an allen wrench to remove the 4 screws from the bottom of the table. Remove the spacer. Repeat this operation for the other spacer.
3. Remove the IQ dampers from the box and check for damage.
4. Install the damper by inserting it into the position that the spacer was in (See figure 3 below). Orient the IQ damper so the mounting holes line up.
5. Install the 3 top screws and the 4 bottom screws.
6. Re install the corner pieces using the wood screws you removed when taking the corner pieces off.
7. Connect the 25 pin cable to the damper. The connection point for the damper is located on the bottom of the table.
8. Connect the other end of the cable to the ST-300 controller.
9. Repeat steps 6-8 for the second damper.
10. Power the system up by depressing the power button (See figure 4 for button locations).
11. Auto tune the system by depressing the auto tune button. Do not disturb the table while this process is taking place. The tuning process takes about 45 sec. to complete. Once complete, the status LED's on the front panel of the ST-300 will be green.

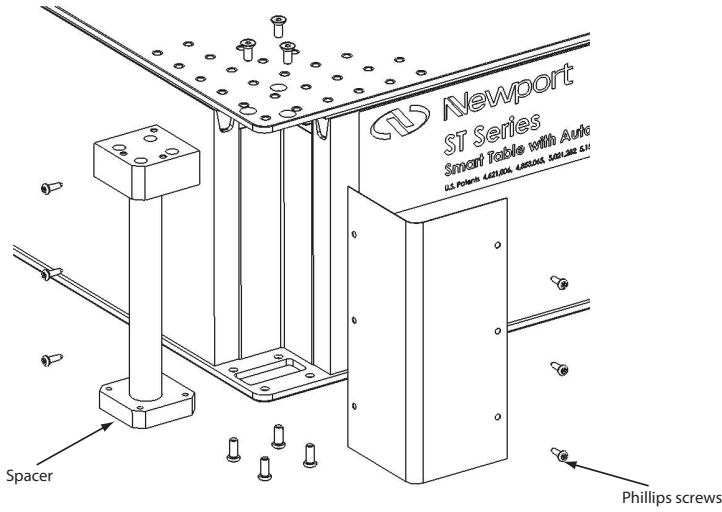


Figure 1: ST-UT or ST-UT2 Series table before IQ damping upgrade

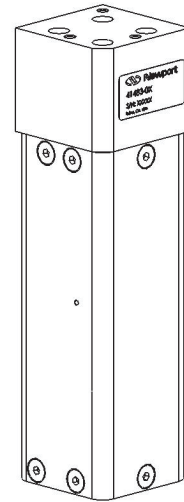


Figure 2: IQ damper assembly

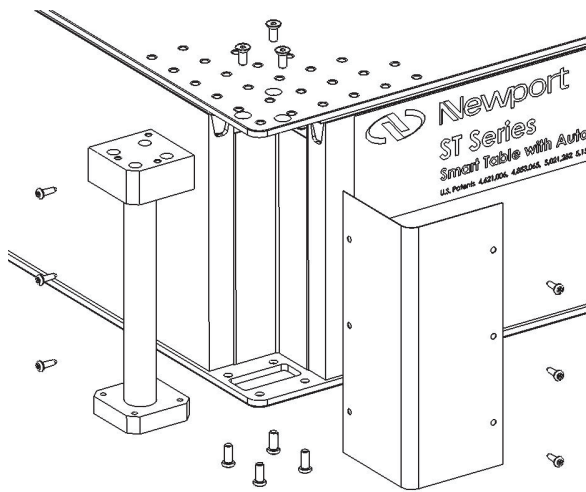


Figure 3: ST-UT or ST-UT2 Series table with IQ damping upgrade

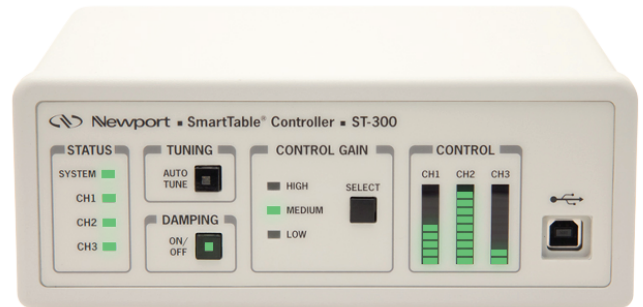


Figure 4: ST-300 Controller