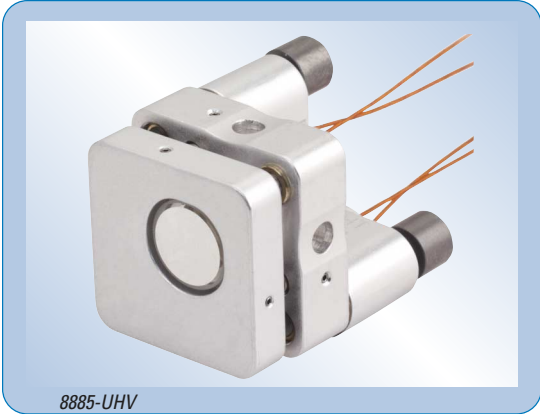


# Ultra High Vacuum Motorized Pint-Sized Center Mirror Mount



## Advantages

- Small and Compact
- Ultra High Vacuum Compatible ( $10^{-9}$  Torr)
- Outgas less than 5 ppm of volatile mass at 85° C over 3 hrs
- 1.5  $\mu$ rad angular resolution and +/-4° of angular range

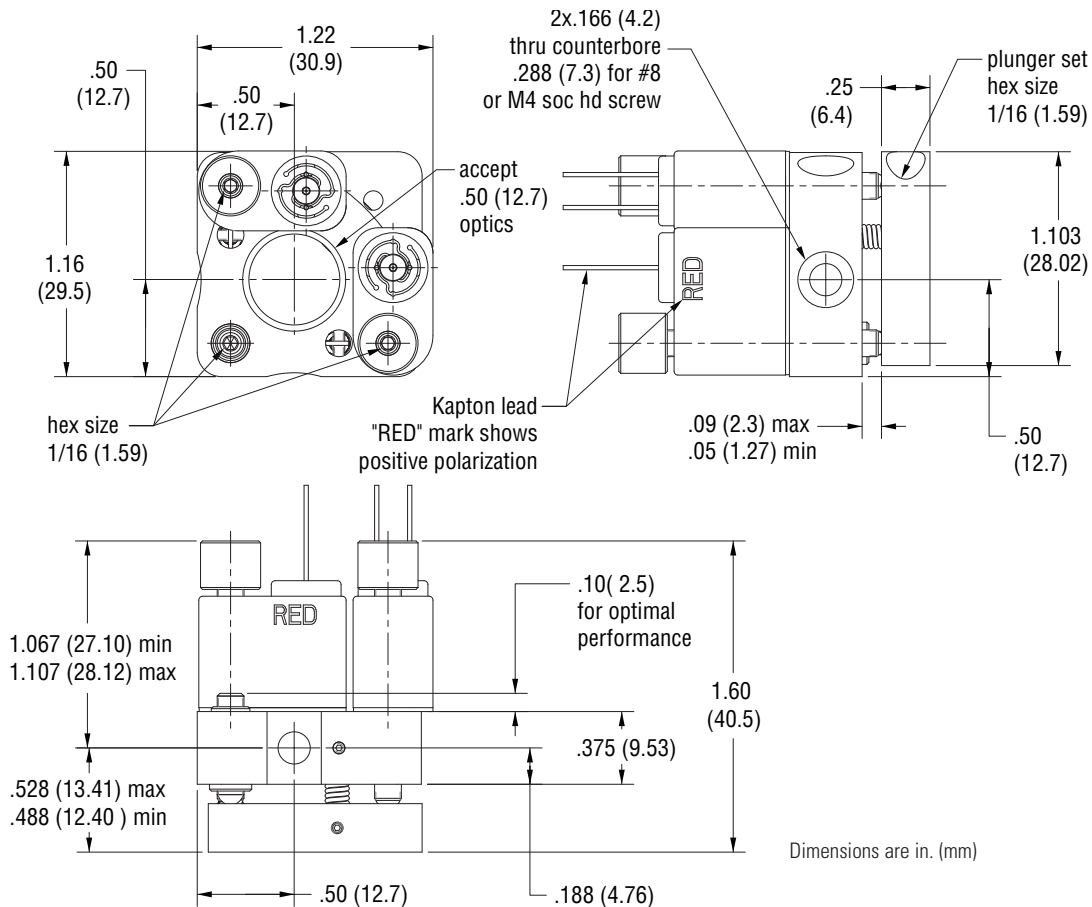
The 8885-UHV is our motorized pint-sized center mirror mount that allows high remote and precision alignment of the tip and tilt axes while adding only 0.5 in. (12.7 mm) of depth to this 0.5 inch (12.7 mm) diameter mount in UHV ( $10^{-9}$  Torr) environments. The two Picomotor™ actuators to each mount allows 1.5  $\mu$ rad of angular resolution and +/- 4° of angular range. With new implemented Kapton leads, the design virtues of this unit are critical in environments including vacuum ultraviolet (VUV) and extreme ultraviolet (EUV) applications. The 8885-UHV has been tested and measured to outgas levels less than 5 ppm of volatile mass at 85 °C over three hours. Mass Spectrograms detailing the exact outgassing compounds are available upon request. This pint-sized mount is fully compatible with the posts, pedestals, and mounts you already own.

## Specifications

	8885-UHV
Optic Diameter [in. (mm)]	0.5 (12.7)
Motorized Axes	2
Resolution- Angular ( $\mu$ rad)	1.5
Angular Range (°)	$\pm 4$
Thread Type	#8 or M4 Counterbore
Wire Type	Kapton
Vacuum Compatibility	$10^{-9}$ Torr
Cable Length [ft. (m)]	7 (2.1)
Operating Temperature Range (°C)	10-40
Mounting	Post
Connector Type	4-Pin



# Ultra High Vacuum Motorized Pint-Sized Center Mirror Mount



Model	Description
8885-UHV	Ultra High Vacuum Picomotor Pint-Sized Center Mount, 0.5 in. Diameter
8742-4-KIT	Four-Axis 8742 Picomotor Controller/Driver Kit
8758	Hand Control Pad for 874X Picomotor Controller/Drivers



3635 Peterson Way, Santa Clara, CA 95054, USA

PHONE: 1-800-222-6440 1-408-980-4300 FAX: 1-408-919-6083 EMAIL: sales@newfocus.com

[www.newport.com/newfocus](http://www.newport.com/newfocus)

	PHONE	EMAIL	PHONE	EMAIL
Belgium	+32-(0)0800-11 257	belgium@newport.com	Irvine, CA, USA	+1-800-222-6440
China	+86-10-6267-0065	china@newport.com	Netherlands	+31-(0)30 6592111
France	+33-(0)1-60-91-68-68	france@newport.com	United Kingdom	+44-1235-432-710
Japan	+81-3-3794-5511	spectra-physics@splasers.co.jp	Germany / Austria / Switzerland	+49-(0)6151-708-0
Taiwan	+886 -(0)2-2508-4977	sales@newport.com.tw		germany@newport.com

Newport Corporation, Irvine, California and Franklin, Massachusetts; Evry and Beaune-La-Rolande, France and Wuxi, China have all been certified compliant with ISO 9001 by the British Standards Institution. Santa Clara, California is DNV certified.

Newport Corporation, Global Headquarters  
1791 Deere Avenue, Irvine, CA 92606, USA  
PHONE: 1-800-222-6440 1-949-863-3144  
EMAIL: sales@newport.com  
Complete listings for all global office locations are available online at [www.newport.com/contact](http://www.newport.com/contact)

DS-101303 (11/5/13)