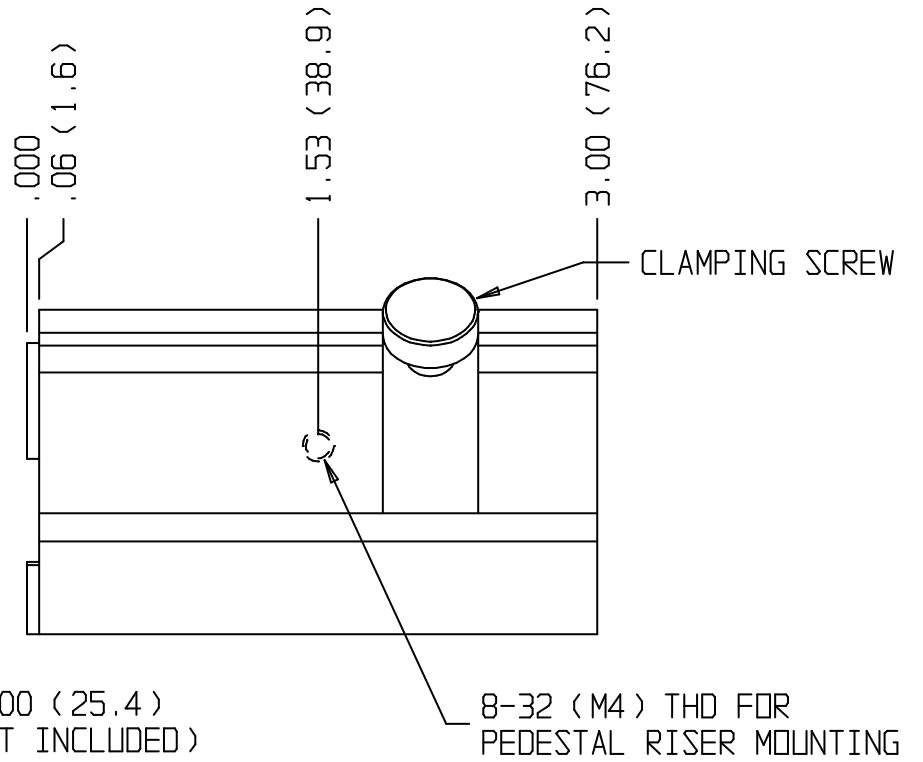


HOLDS DIA 1.00 (25.4)
CYLINDER (NOT INCLUDED)



9092(M) COUPLER BODY

 New Focus™