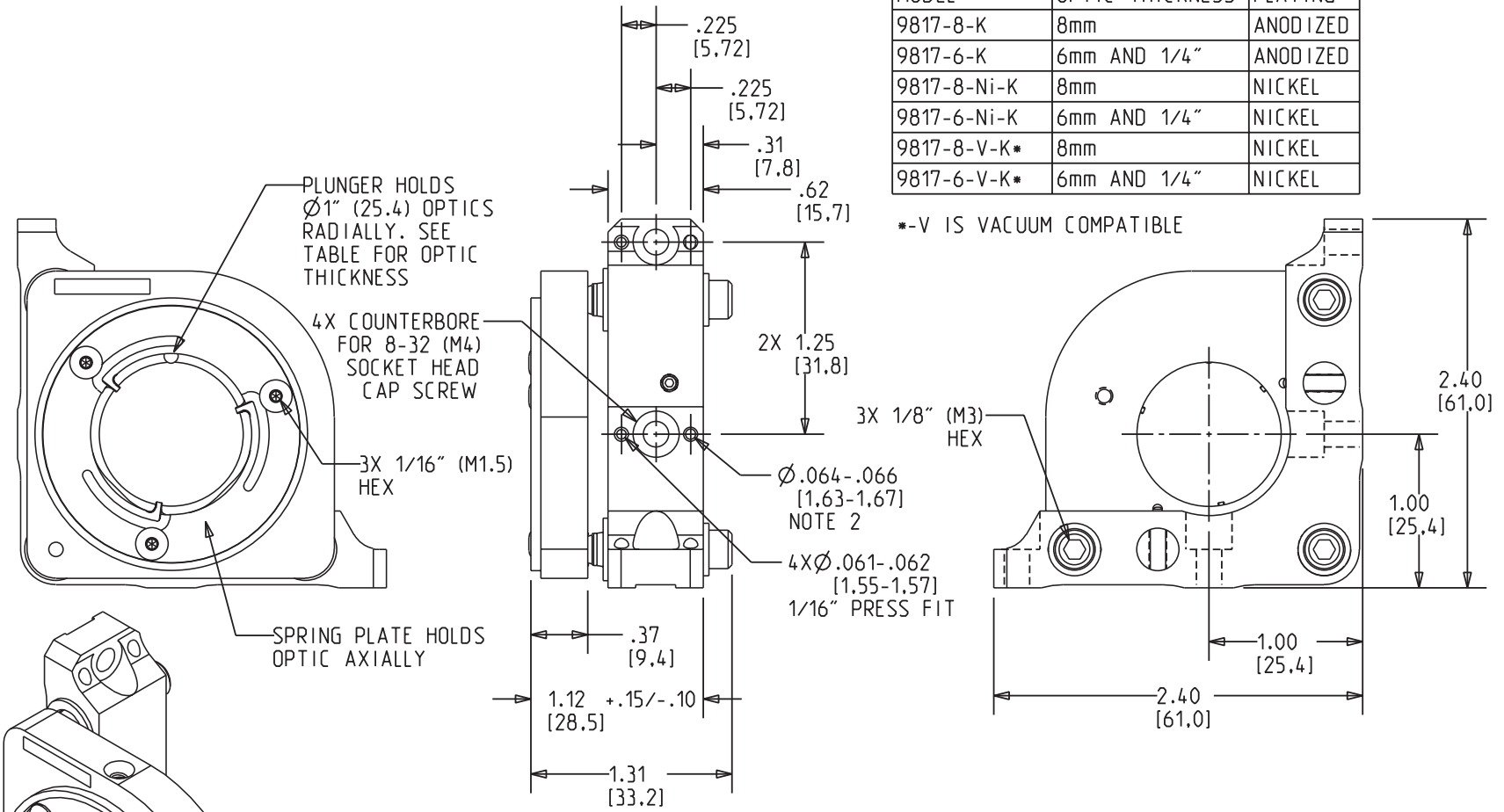


MODEL	OPTIC THICKNESS	PLATING
9817-8-K	8mm	ANODIZED
9817-6-K	6mm AND 1/4"	ANODIZED
9817-8-Ni-K	8mm	NICKEL
9817-6-Ni-K	6mm AND 1/4"	NICKEL
9817-8-V-K*	8mm	NICKEL
9817-6-V-K*	6mm AND 1/4"	NICKEL

*-V IS VACUUM COMPATIBLE



9817 1" CENTER MOUNT

NEW FOCUS, Inc.

Unless otherwise noted, dimensions are in inches with metric dimensions in mm in brackets

