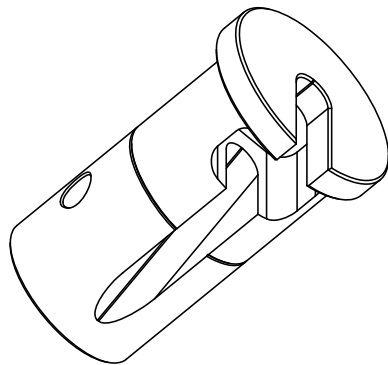
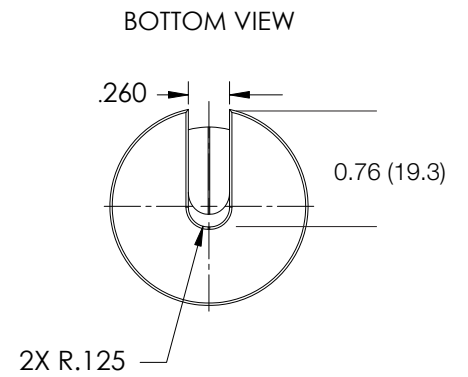
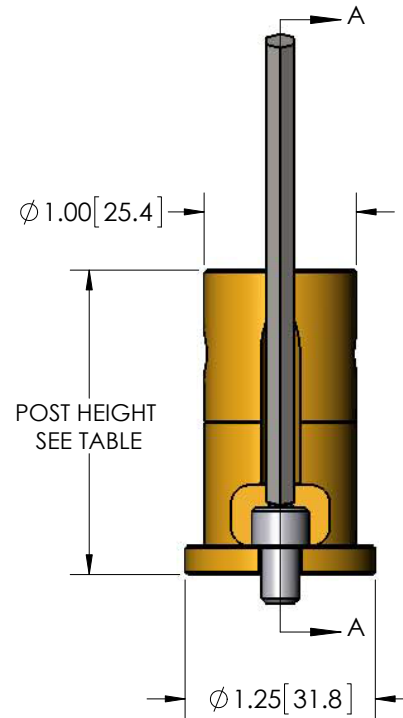
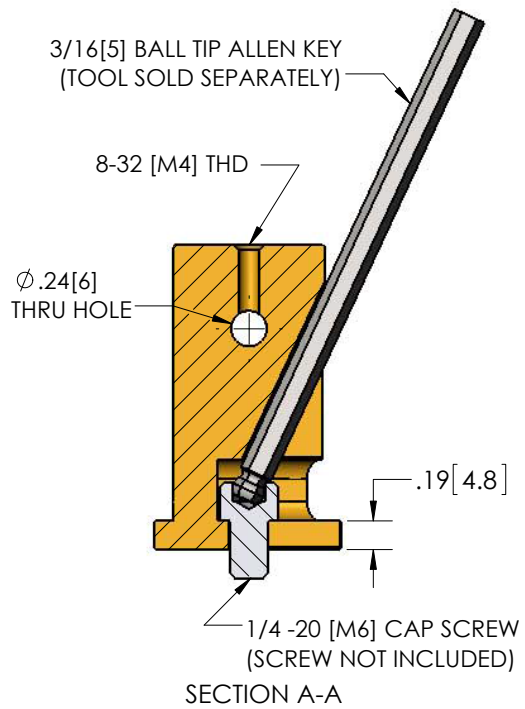


MOUNTING DEMONSTRATION



Model Number	Height .in (mm)
PX-1F	1.0 (25.4)
PX-2F	2.0 (50.8)
PX-3F	3.0 (76.2)
PX-4F	4.0 (101.6)