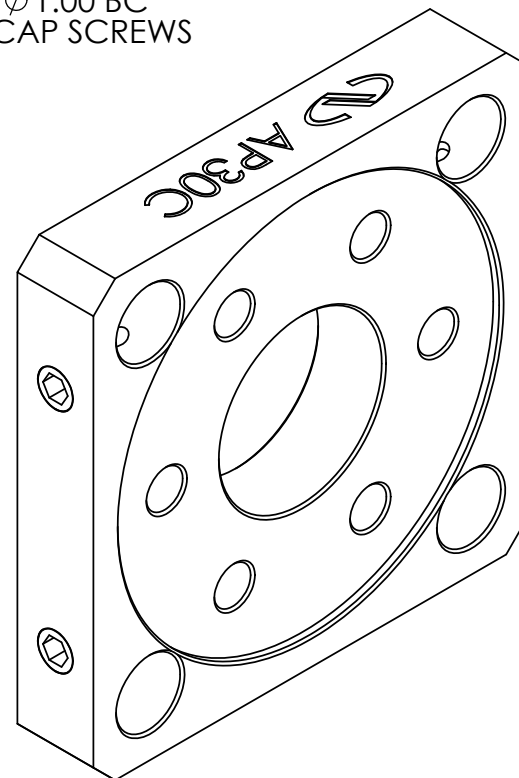
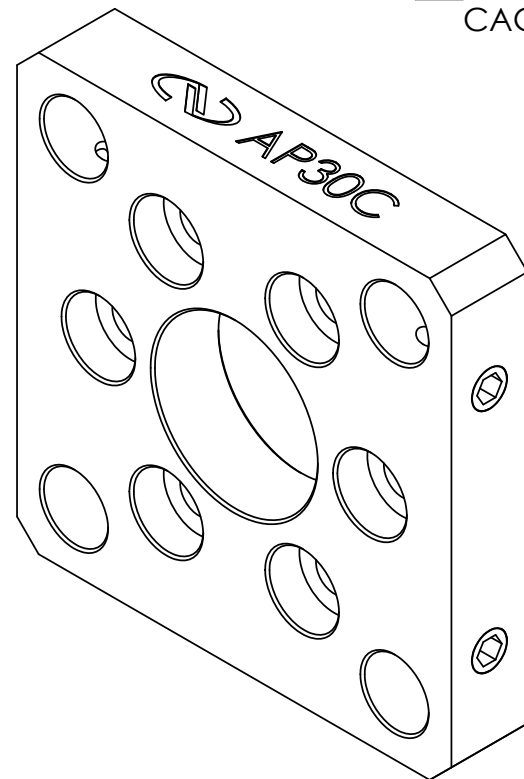
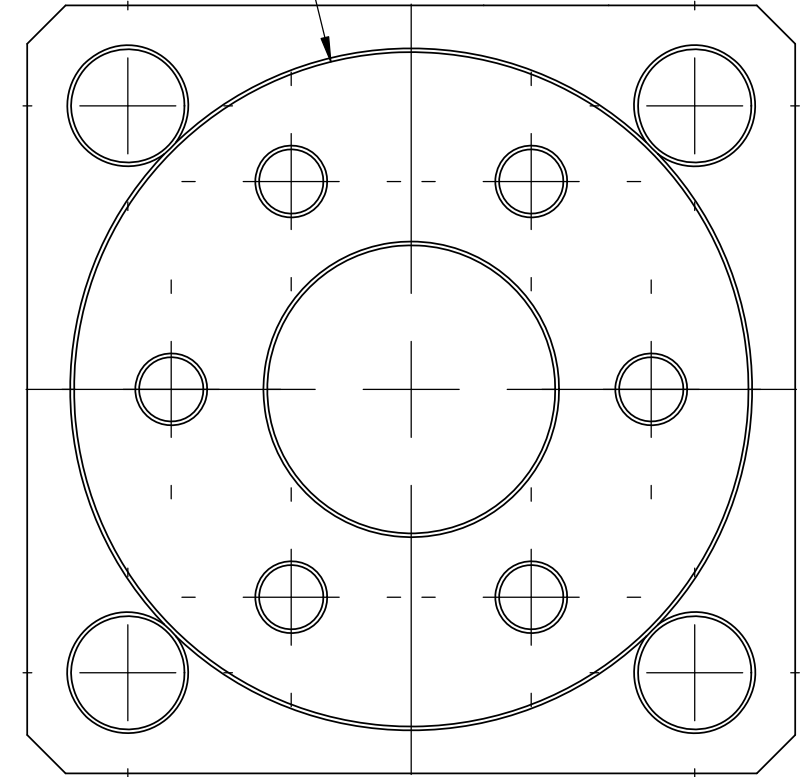


$\square \phi 1.41 [35.7] \nabla .030$
 FIT FOR PD30 BEAM TRAP



MODEL: AP30C
30mm CAGE ADAPTOR